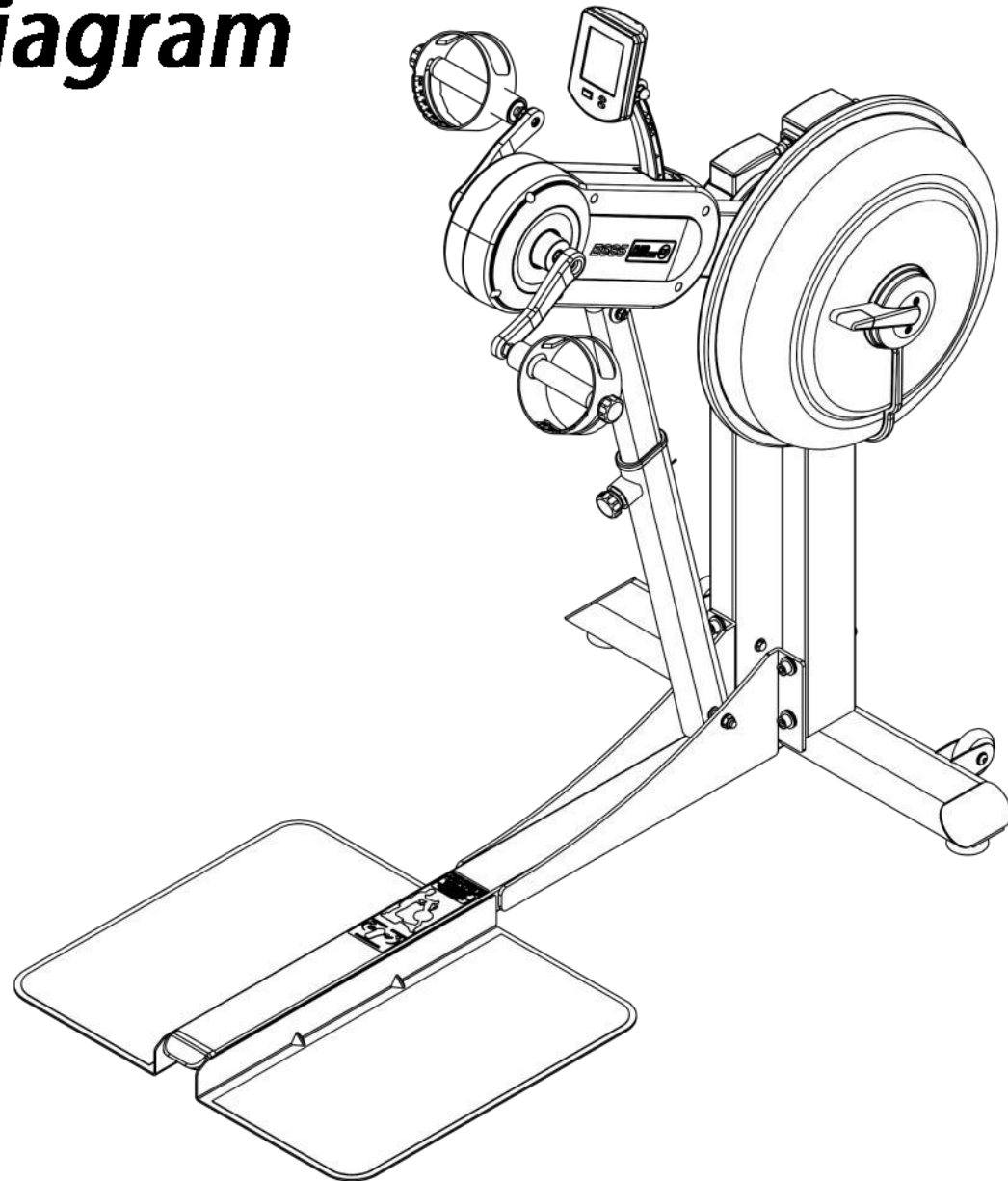
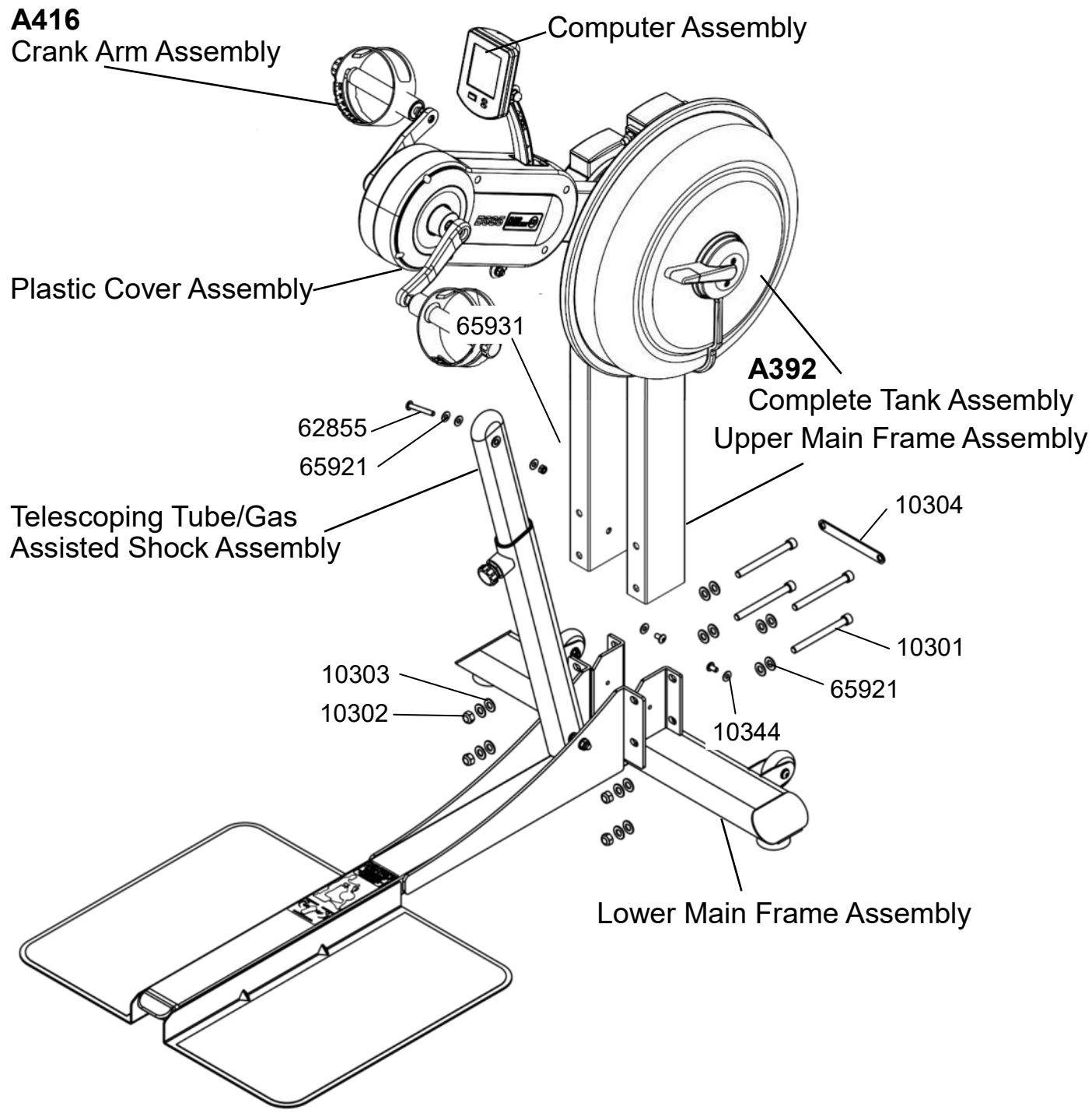


FLUID EXERCISE

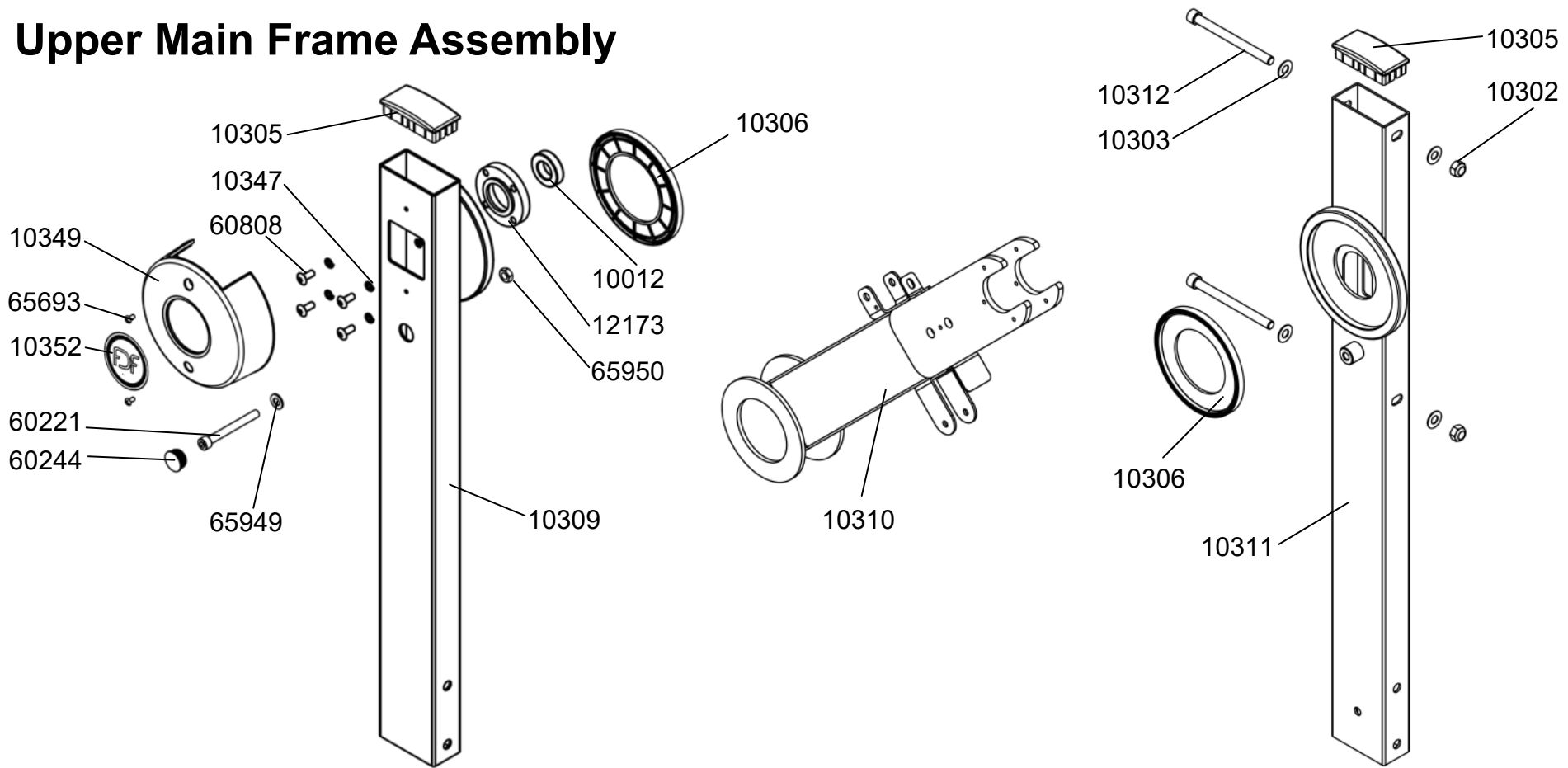
E685 Exploded Diagram



10301	4	Hex Head Bolt M12x130 - B
10302	4	Nyloc Nut M12 - B
10303	16	Washer M13x24x2t - B
10304	1	Metal Fixed Plate
10344	2	Hex Bolt M8x15 - B
62855	1	Dome Head Bolt M8x55 - B
65921	5	Washer M8.5x19x1.6t - B
65931	1	Nyloc Nut M8 - B
A392	1	Complete Tank Assembly
A416	1	Crank Arm Assembly

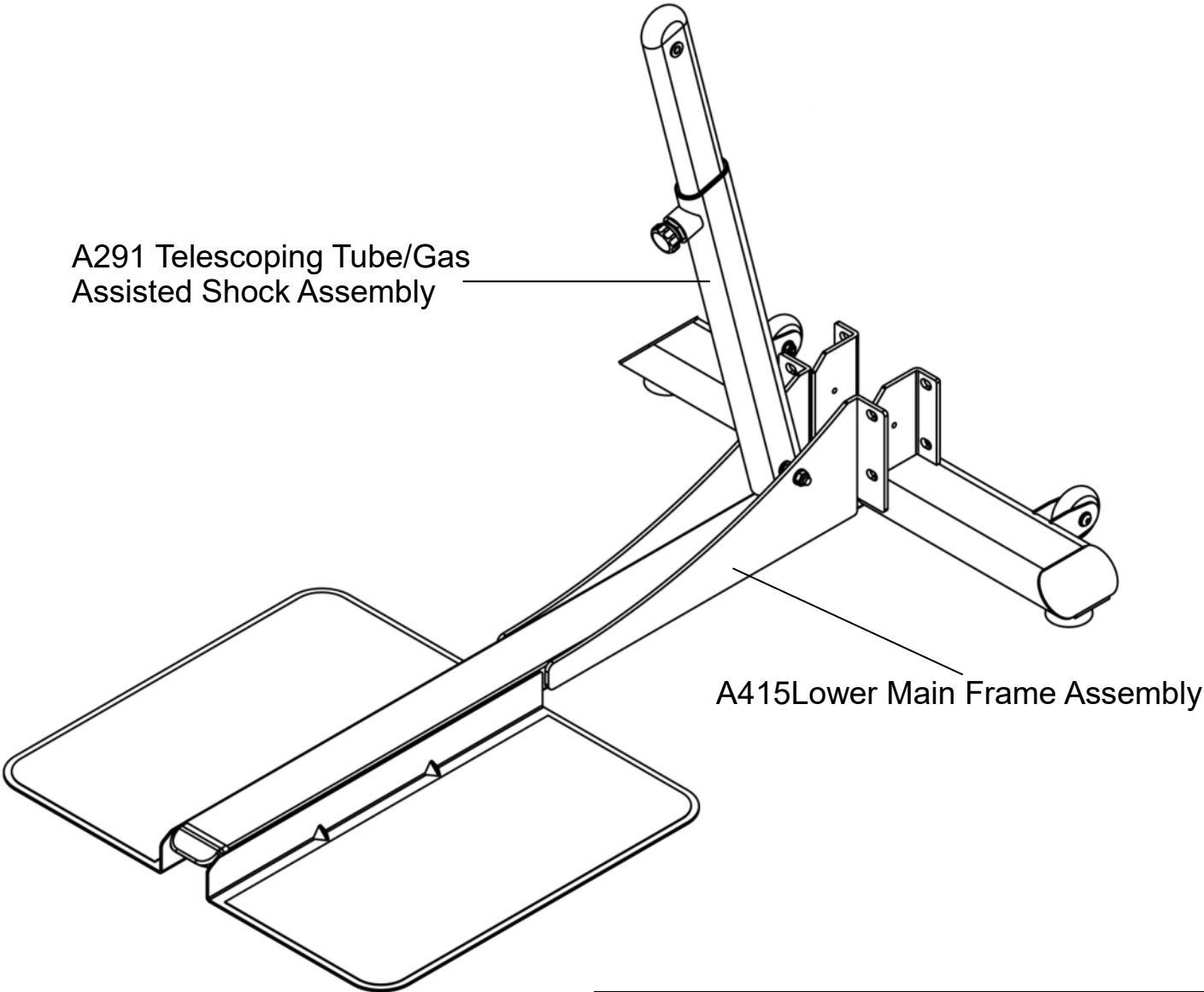


Upper Main Frame Assembly



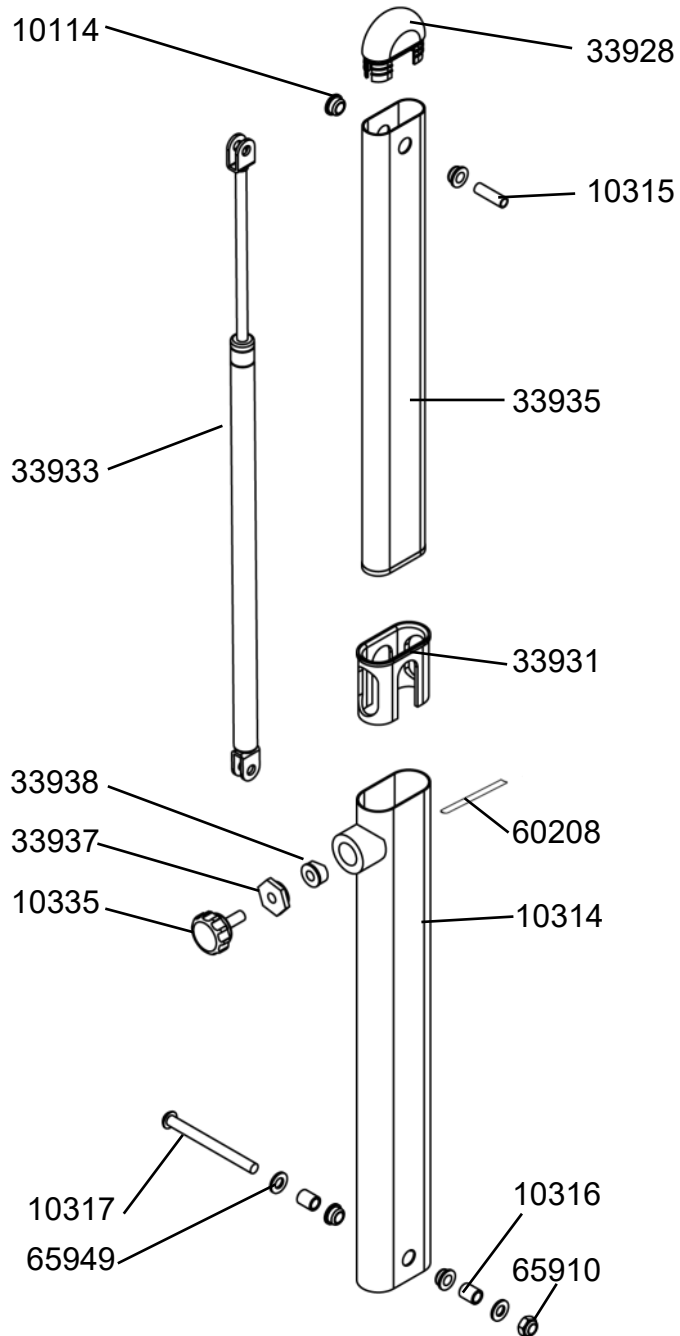
10302	2	Nyloc Nut M12 -B	10349	1	Plastic Small Round Cover with #10352
10303	4	Washer M13x24x2t - B	12173	1	Bearing Housing with Bearing #10012
10305	2	Curved Endcap 100x50	60221	1	Hex Head Bolt M10x90 - B
10306	2	Plastic Disc	60244	1	Rower Handle End Inserts
10309	1	Upper Main Frame - Left #20035	60808	4	Dome Head Bolt M8x15
10310	1	Rotating Arm	65693	2	Dome Head Bolt M5x15 - B
10311	1	Upper Main Frame - Right	65949	1	Washer M10x21x2t -B
10312	2	Hex Head Bolt M12x150 - B	65950	1	Nut M10 - B
10347	4	Toothed Locked Washer M8			

Telescoping Tube/Gas Assisted Shock Assembly & Lower Main Frame Assembly — Package Box-2



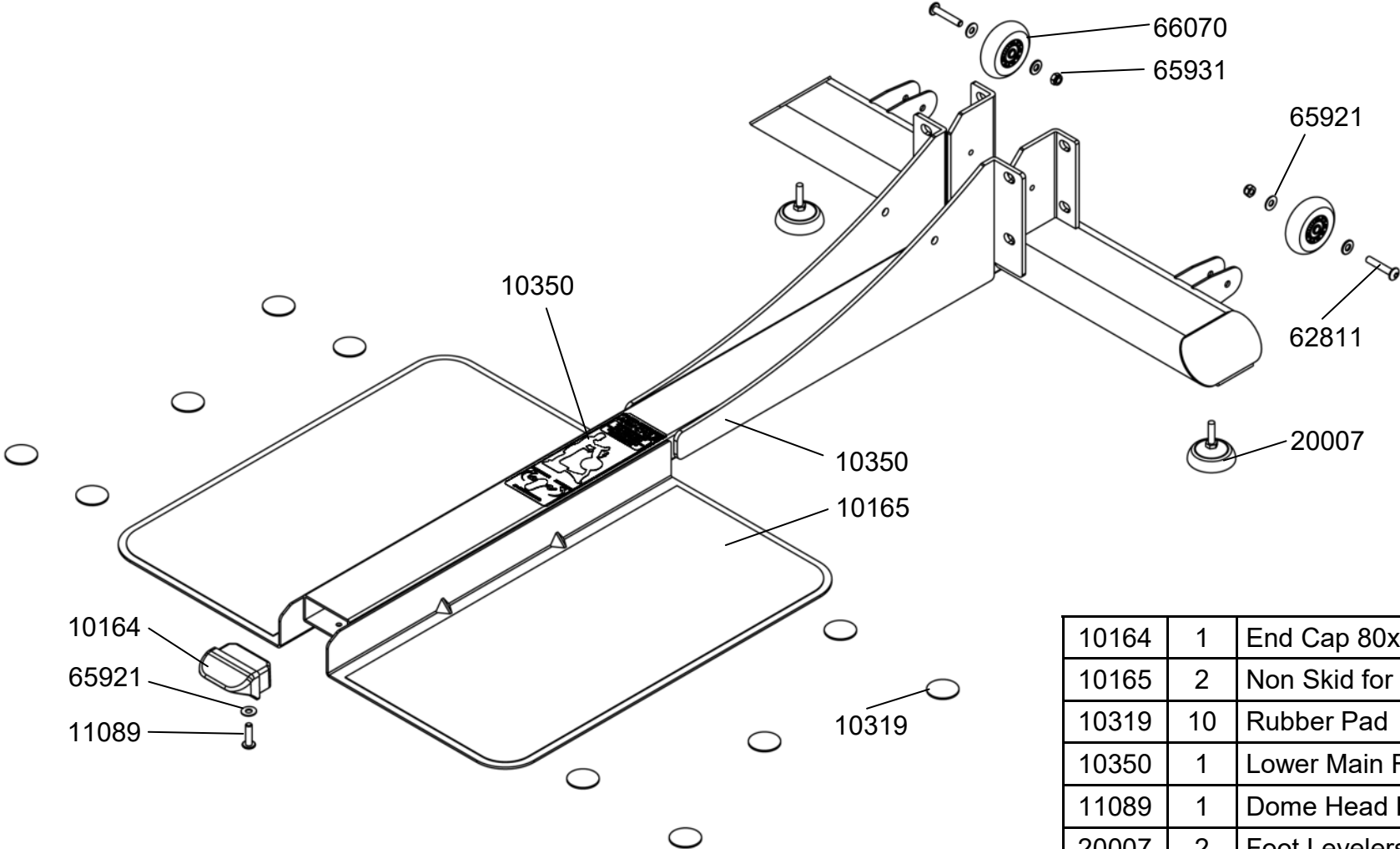
A291	1	Telescoping Tube/Gas Assisted Shock Assembly
A415	1	Lower Main Frame Assembly

A291 Telescoping Tube/Gas Assisted Shock Assembly



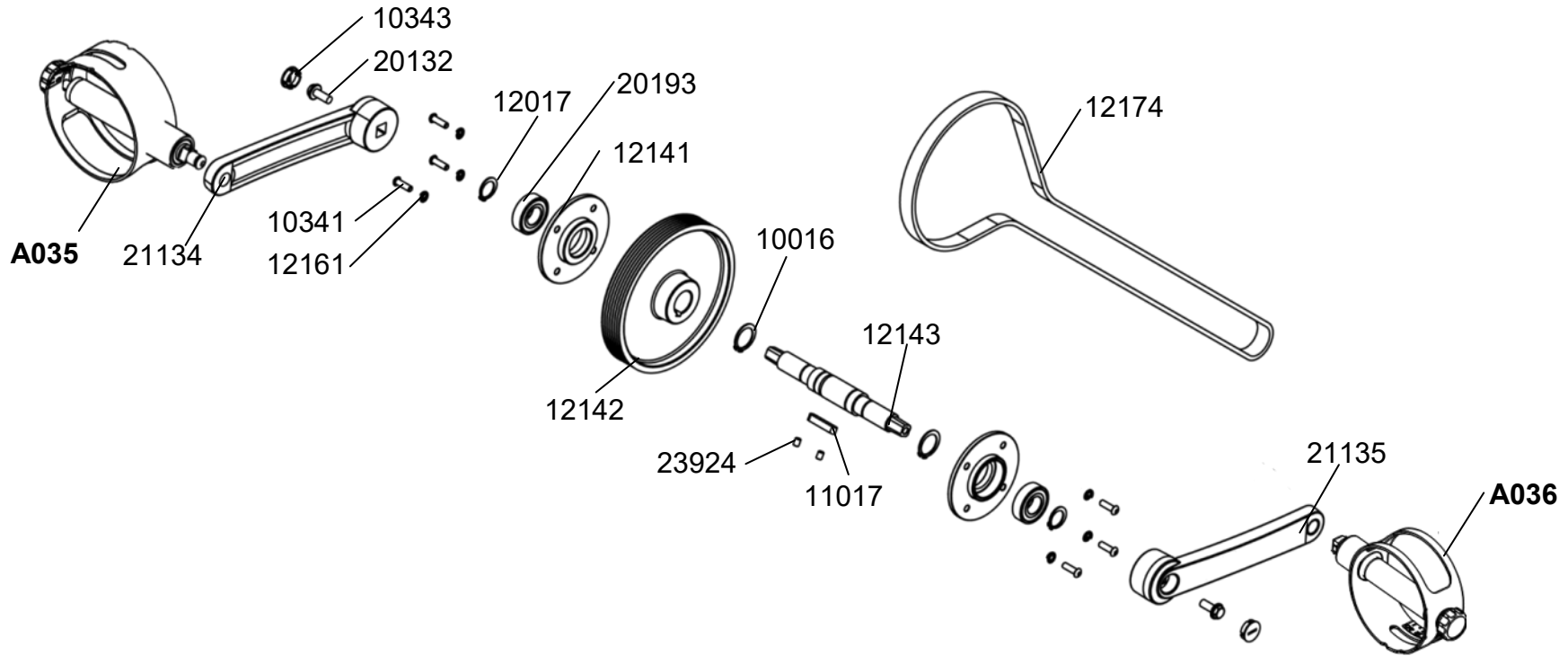
10114	4	Plastic Bushing 20x16x13x10
10314	1	Telescoping Tube External
10315	1	Aluminum Spacer 10.1x8.1x34
10316	2	Aluminum Spacer 14.1x10x16.5
10317	1	Dome Head Bolt M10x110 - B
10335	1	Handle Lock Knob M10x27 - Red
33928	1	Internal Tube End Cap
33931	1	Telescoping Tube Plastic Sleeve
33933	1	Hydraulic Shock
33935	1	Telescoping Tube (Internal Scribed)
33937	1	Flange Nut M25
33938	1	Copper Locating Bushing
60208	1	Transport Wheel Fastener
65910	1	Nyloc Nut M10 - B
65949	2	Washer M10x21x2t - B

A415 Lower Main Frame Assembly

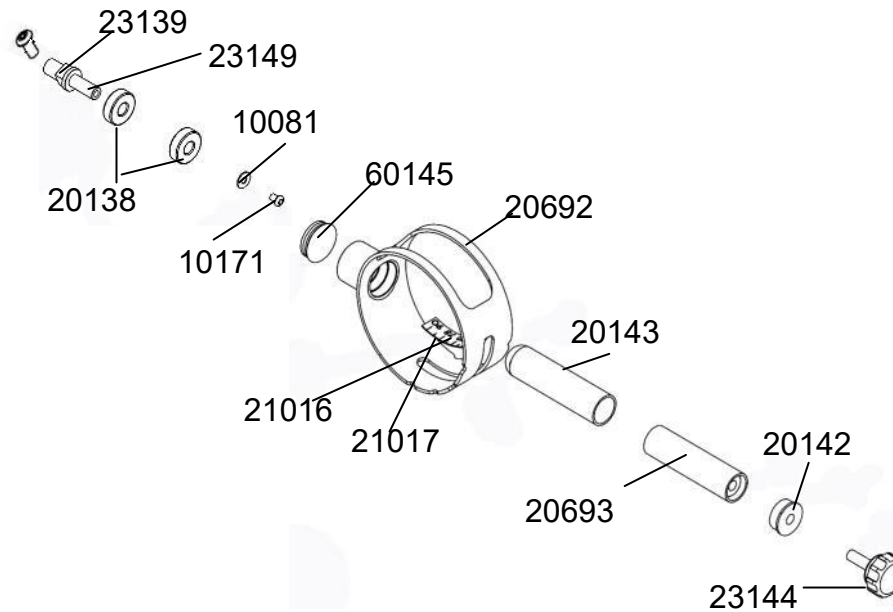


10164	1	End Cap 80x40
10165	2	Non Skid for Base Plate
10319	10	Rubber Pad
10350	1	Lower Main Frame with Decal #10351
11089	1	Dome Head Bolt M8x30 - B
20007	2	Foot Levelers M8x30 Hardened Rubber
62811	2	Dome Head Bolt M8x45 - B
65921	5	Washer M8.5x19x1.6t - B
65931	2	Nyloc Nut M8 -B
66070	2	Transport Wheel

A416 Crank Arm Assembly



10016	2	C Clip STW-25	12174	1	5PK Belt 1590
10341	6	Dome Head Bolt M6x15	20132	2	French Screw M8x20xP1.0
10343	2	End Cap for Crank - Black	20193	2	Aluminum Block Housing Bearing NSK 6004ZZ
11017	1	Key Way 7x7x38	21134	1	Crank - Left
12017	2	C Clip 20mm	21135	1	Crank - Right
12141	2	Bearing Housing	23924	2	Grub Screws M6x10
12142	1	7PK Transmission Pulley 170mm	A035	1	Handle Complete - Left
12143	1	Pulley Shaft	A036	1	Handle Complete - Right
12161	6	Spring Washer M6			



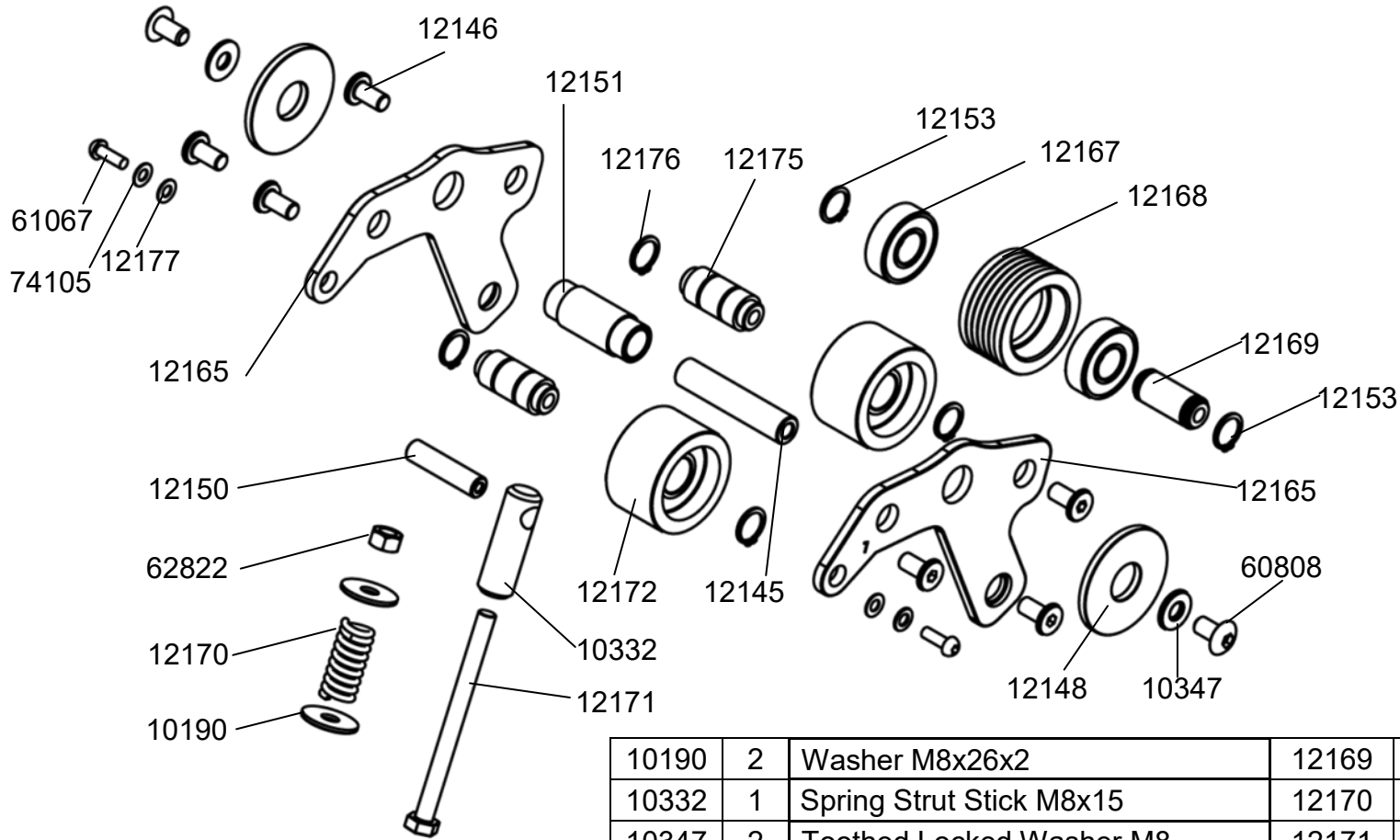
A035 Handle Complete - Left

10081	1	Washer M6x16x1
10171	1	Dome Head Bolt M6x8
20138	2	Bearing NSK6201ZZ
20142	1	Plastic Washer 32x8.2x12t
20143	1	Handle Grip for Pedal
20692	1	Handle Guard
20693	1	Handle Bar
21016	1	Decal - Angle in Handle - Left
23139	1	Handle Shaft with Bolt-Left E920
23144	1	Handle Lock Knob M10x32 -
60145	1	End Cap 38

A036 Handle Complete - Right

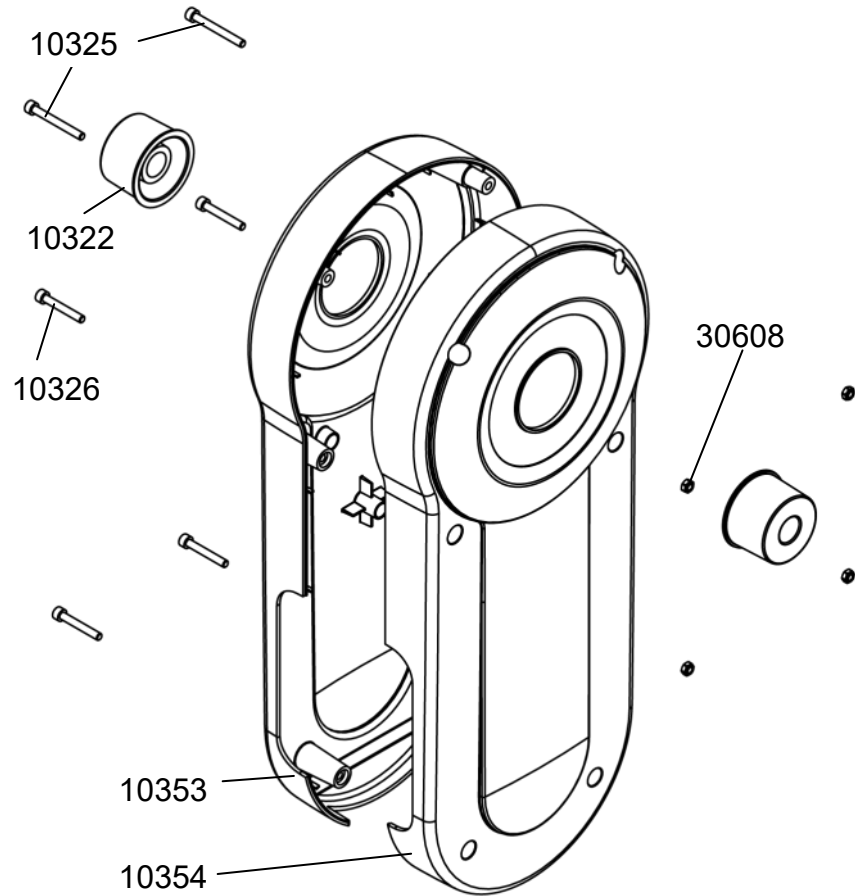
10081	1	Washer M6x16x1
10171	1	Dome Head Bolt M6x8
20138	2	Bearing NSK6201ZZ
20142	1	Plastic Washer 32x8.2x12t
20143	1	Handle Grip for Pedal
20692	1	Handle Guard
20693	1	Handle Bar
21017	1	Decal - Angle in Handle - Right
23144	1	Handle Lock Knob M10x32 - Yellow
23149	1	Handle Shaft with Bolt-Right
60145	1	End Cap 38

A293 Idle Wheel Assembly



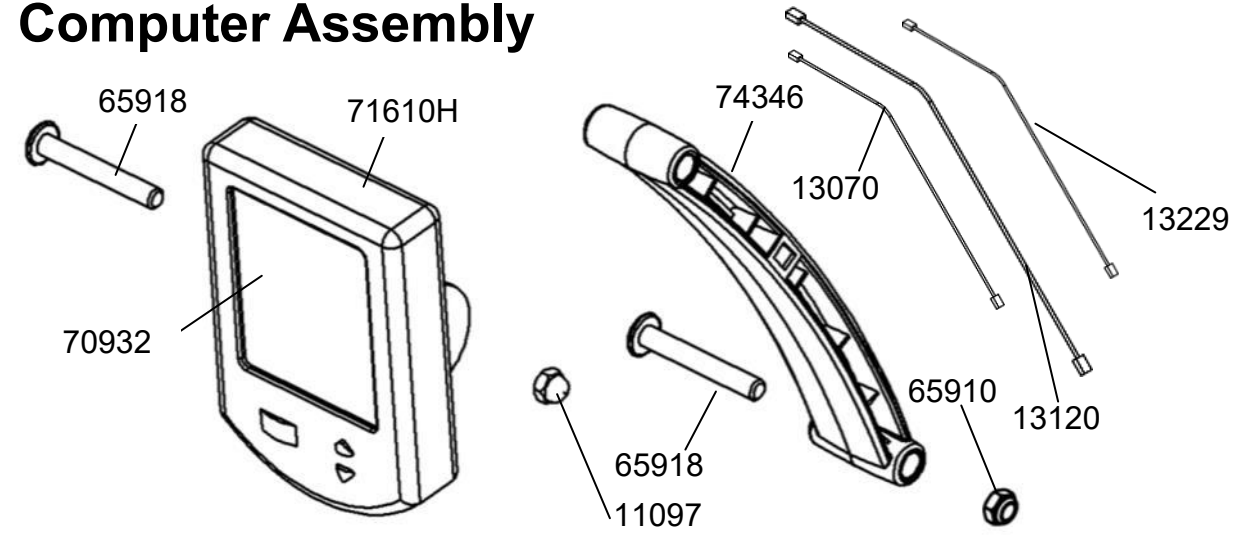
10190	2	Washer M8x26x2	12169	1	Bearing Shaft L35.3mm
10332	1	Spring Strut Stick M8x15	12170	1	Spring D2.3mm L48mm
10347	2	Toothed Locked Washer M8	12171	1	Hex Head Bolt M8x100 - B
12145	1	Idle Wheel Shaft	12172	2	Idle Wheel 50mm
12146	6	Flat Head Bolt M8x15	12175	2	Bearing Shaft L41.5mm
12148	2	Plastic Bushing 52x18.1mm	12176	4	C Clip 17mm
12150	1	Metal Bushing	12177	2	Spring Washer M5
12151	1	Plastic Shaft	60808	2	Dome Head Bolt M8x15
12153	2	C Clip 15mm	61067	2	Dome Head Bolt M5x15
12165	1	Idle wheel Bracket - R & L	62822	1	Nut M8 - B
12167	2	Bearing NSK 6202Z	74105	2	Washer M5 - SUS
12168	1	Pulley			

Shroud Assembly



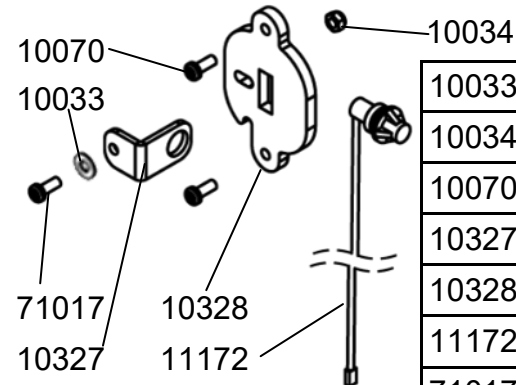
10322	2	Rubber Spacer
10325	2	Hex Head Bolt M5x45 - B
10326	4	Hex Head Bolt M5x30 - B
10353	1	Shroud - L with Decal #10333 & #10355
10354	1	Shroud - R with Decal #10333 & #10355
30608	6	Nyloc Nut M5 - B

Computer Assembly



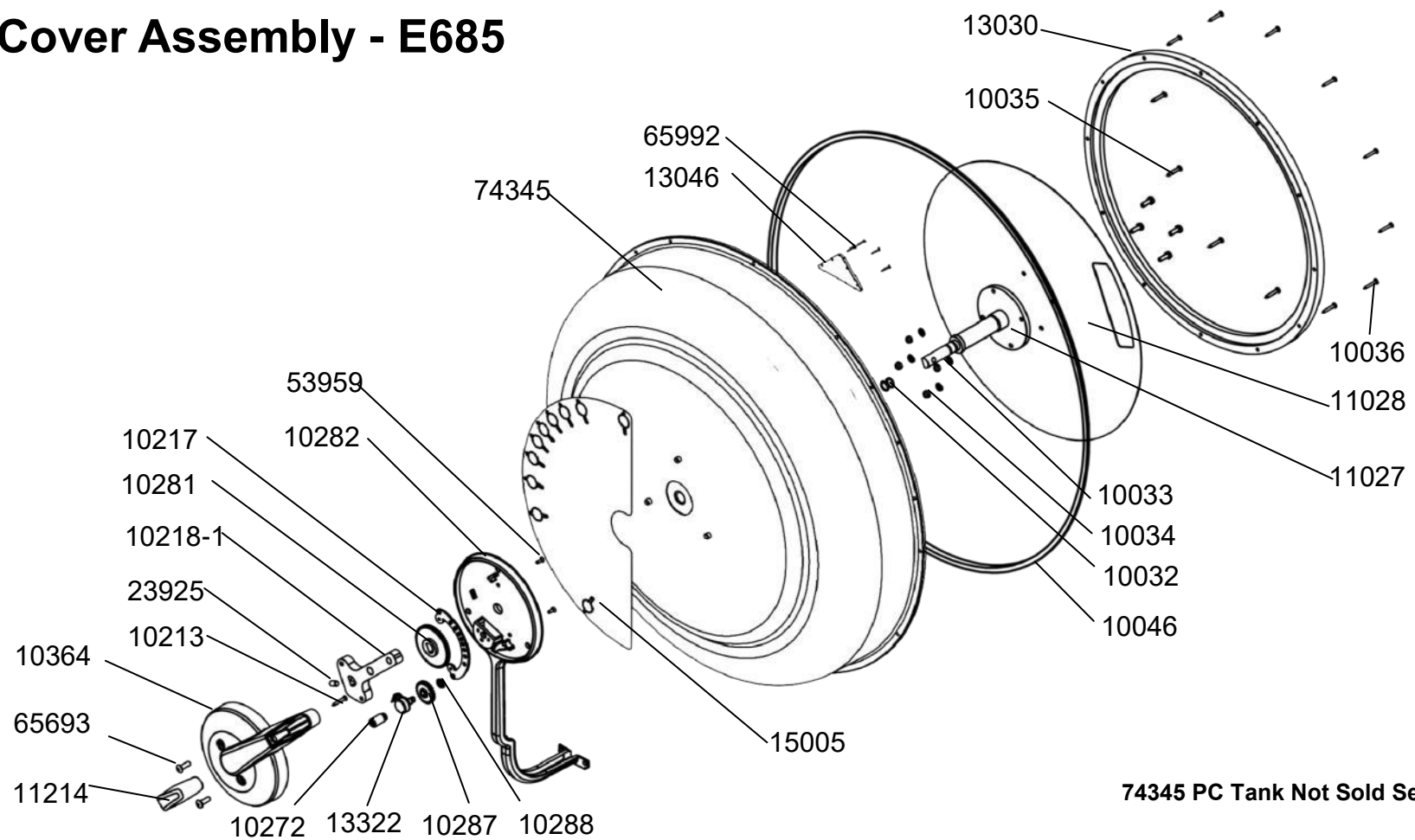
11097	1	Nut Dome Head M10 - B
13070	1	Sensor Connecting Cable 300mm
13120	1	Sensor Connecting Cable 450mm
13229	1	Level wire 900mm
65910	1	Nyloc Nut M10 - B
65918	2	Dome Head Bolt M10x60 - B
70932	1	LCD
71610H	1	Computer L10
74346	1	Plastic Computer Stalk

A406 Sensor Kit



10033	1	Washer M4.2x10x1t SUS
10034	1	Nut M4 SUS
10070	2	Round Head Phillips Screw M4x10
10327	1	L Bracket
10328	1	PVC Sensor Cap
11172	1	Sensor 100mm
71017	1	Round Head Phillips Screw M4x15

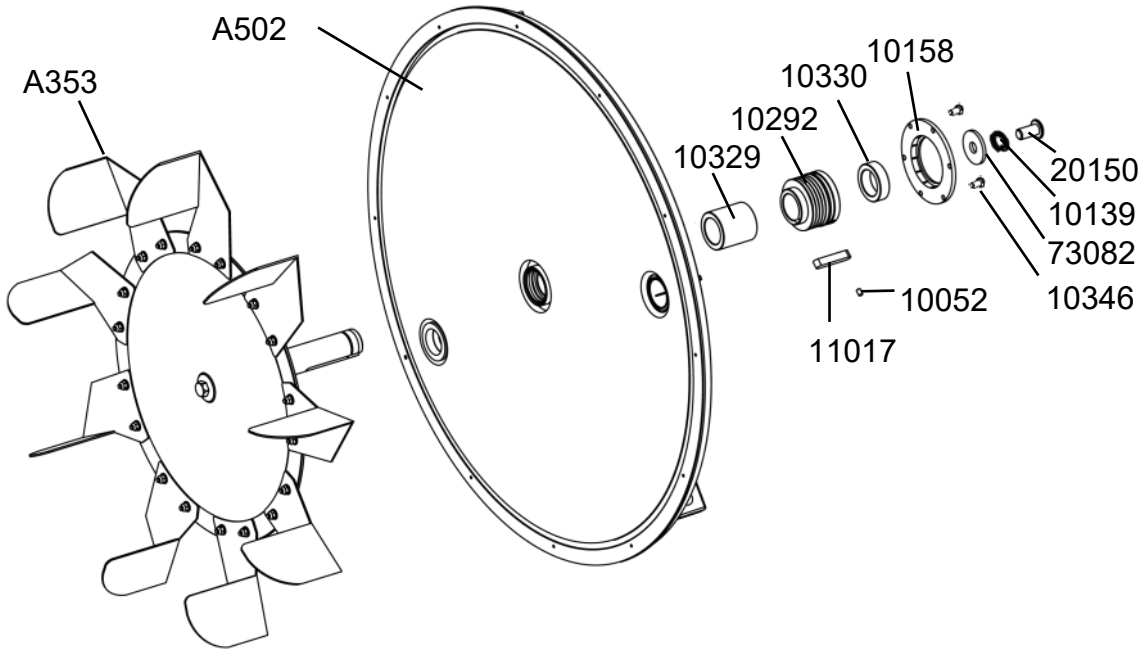
A392 Tank Cover Assembly - E685



74345 PC Tank Not Sold Separately

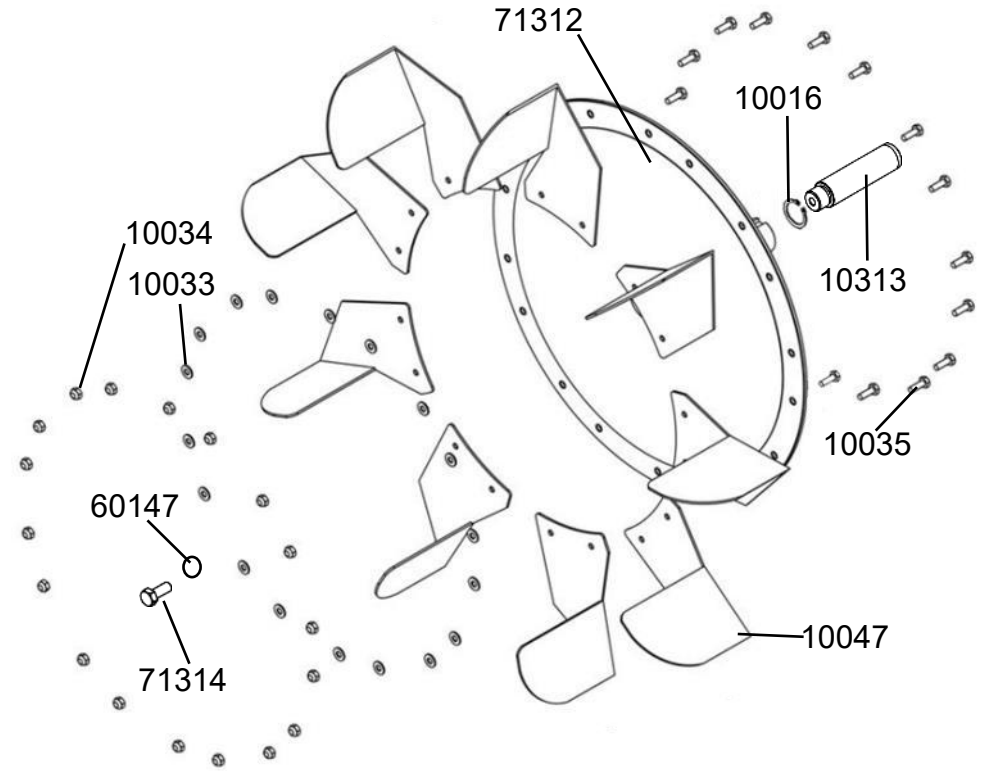
10032	2	Nylon Resistance Adjuster O Ring 12x9x1.5	10282	1	Lever Base incl. Potentiometer, #13322 Gear #10287 & Nut #10288
10033	4	Washer 10x4.2x1 SUS	10364	1	Adjuster Knob - Black
10034	4	Nut M4 SUS	11027	1	Adjuster Handle Shaft
10035	4	Hex Bolt M4 SUS	11028	1	Backing Plate 0.8mm SUS
10036	12	Flat Tapping Screw M3x20 SUS	11214	1	Adjuster Knob Cap - Y
10046	1	Tank Large Seal	13030	1	Adjuster PP Tank Ring 358x10
10213	1	Counter Sunk Screw M3x25 - SUS	23925	1	Grub Screw M6x10
10217	1	Locating Plate	53959	2	Counter Sunk Bolt M3x8 - SUS
10218-1	1	Adjuster Handle with M10 Ball Plunger #10272	65693	2	Dome Head Bolt M5x15 - B
10281	1	Gear M1T48	74345	1	PC Tank Cover with Decal #15005 & Triangle plate #13046 & Bolts #65992 - Gray

A157 Tank Back and Flywheel Complete Assembly



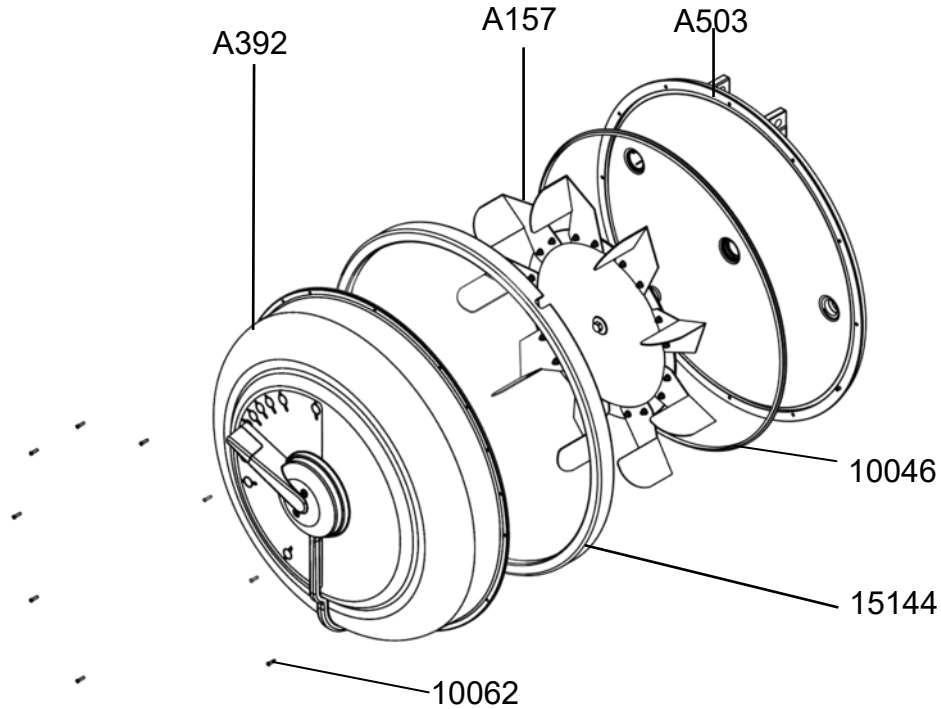
10052	1	Grub Screws M4x6 - B
10139	1	Spring Washer M10
10158	1	Magnetic Ring & 6x Rare Earth Magnet 4mm #10057
10292	1	Small 5PK Transmission Pulley
10329	1	Bushing 36x25x38
10330	1	Bushing 36x25x10.5
10346	2	Round Head Phillips Screw M3x6
11017	1	Key Way 7x7x38
20150	1	Dome Head Bolt M10x15
73082	1	Washer 30x10.2x3t SUS
A353	1	Flywheel Assembly
A502	1	Tank Back Kit - Black

A353 Flywheel Assembly



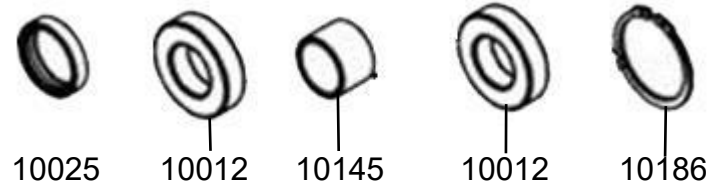
10016	1	C Clip STW-25
10033	18	Washer M4.2x10x1t SUS
10034	18	Nut M4 SUS
10035	18	Hex Bolt M4 SUS
10047	9	Impeller Blade
10313	1	Impeller Shaft
60147	1	O Ring 9.5x6.5x1.5
71312	1	Flywheel CXT/UBE
71314	1	Hexagon Screws M8x20mm SUS

A417 Complete Tank Assembly



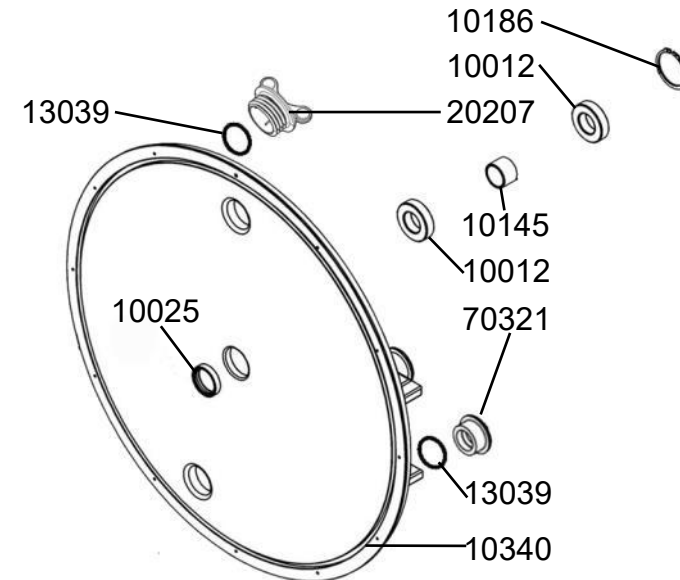
A157	1	Tank Back and Flywheel Complete Assembly
A392	1	Tank Cover Assembly
10046	1	Tank Large Seal
10062	12	Round Head Phillips Screw M3x12 SUS
15144	1	Tank Outer Cover Ring - Black

A012 Tank Bearing & Seal Kit

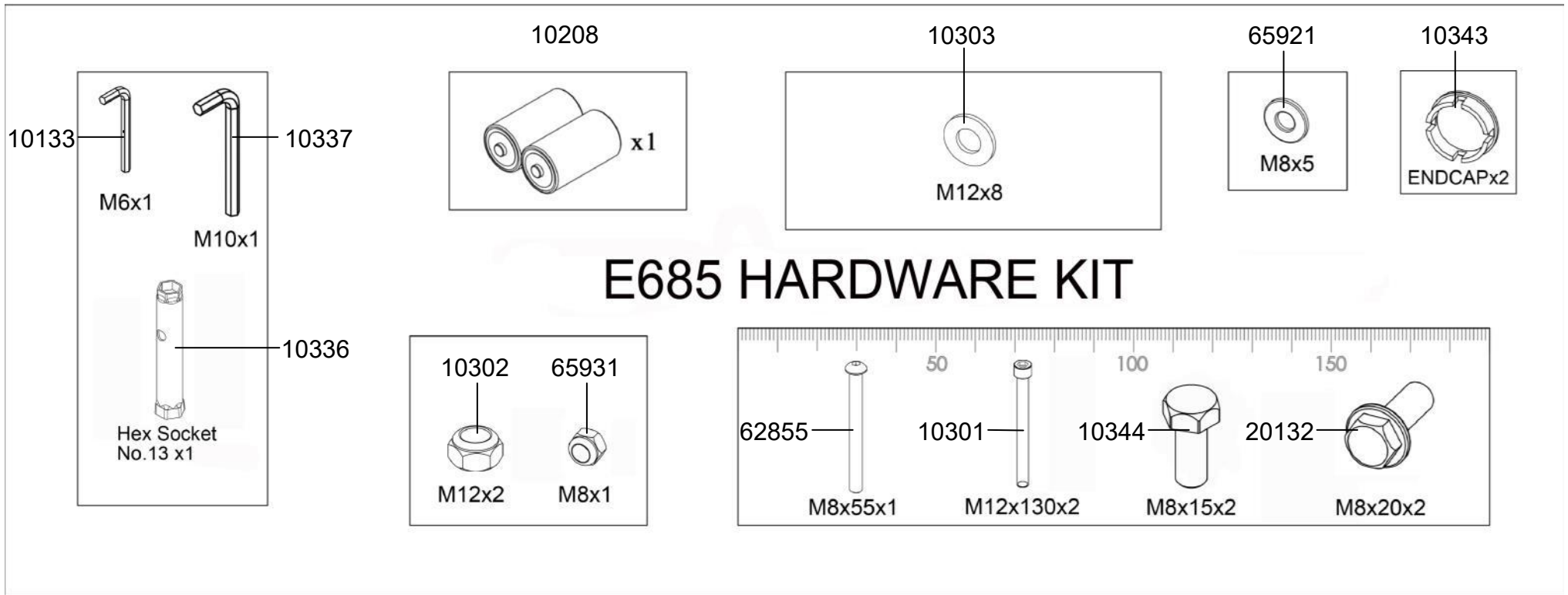


10012	2	Bearing NSK6005ZZ
10025	1	Seal NBR 37x30x8t for Flywheel Shaft
10145	1	Bearing Spacer 30x25.1x20.5mm
10186	1	C Clip RTW - 48

A502 Tank Back Kit— Black



10012	2	Bearing NSK6005ZZ
10025	1	Seal NBR 37x30x8t for Flywheel Shaft
10145	1	Bearing Spacer 30x25.1x20.5mm
10186	1	C Clip RTW - 48
10340	1	Tank Back - Black
20207	1	Wing Plug Black with Flat O-Ring #13039
70321	1	Tank Plug Black with O-Ring #10039



10133	1	Allen Key 6mm	10343	2	End Cap for Crank - Black
10208	1	D Cell Duracell Battery	10344	2	Hex Bolt M8x15 - B
10301	2	Hex Head Bolt M12x130 - B	20132	2	French Screw M8x20xP1.0
10302	2	Nyloc Nut M12 - B	62855	1	Dome Head Bolt M8x55 - B
10303	8	Washer M13x24x2t - B	65921	5	Washer M8.5x19x1.6t - B
10336	1	Hex Socket No.13	65931	1	Nyloc Nut M8 - B
10337	1	Allen Key 10mm			