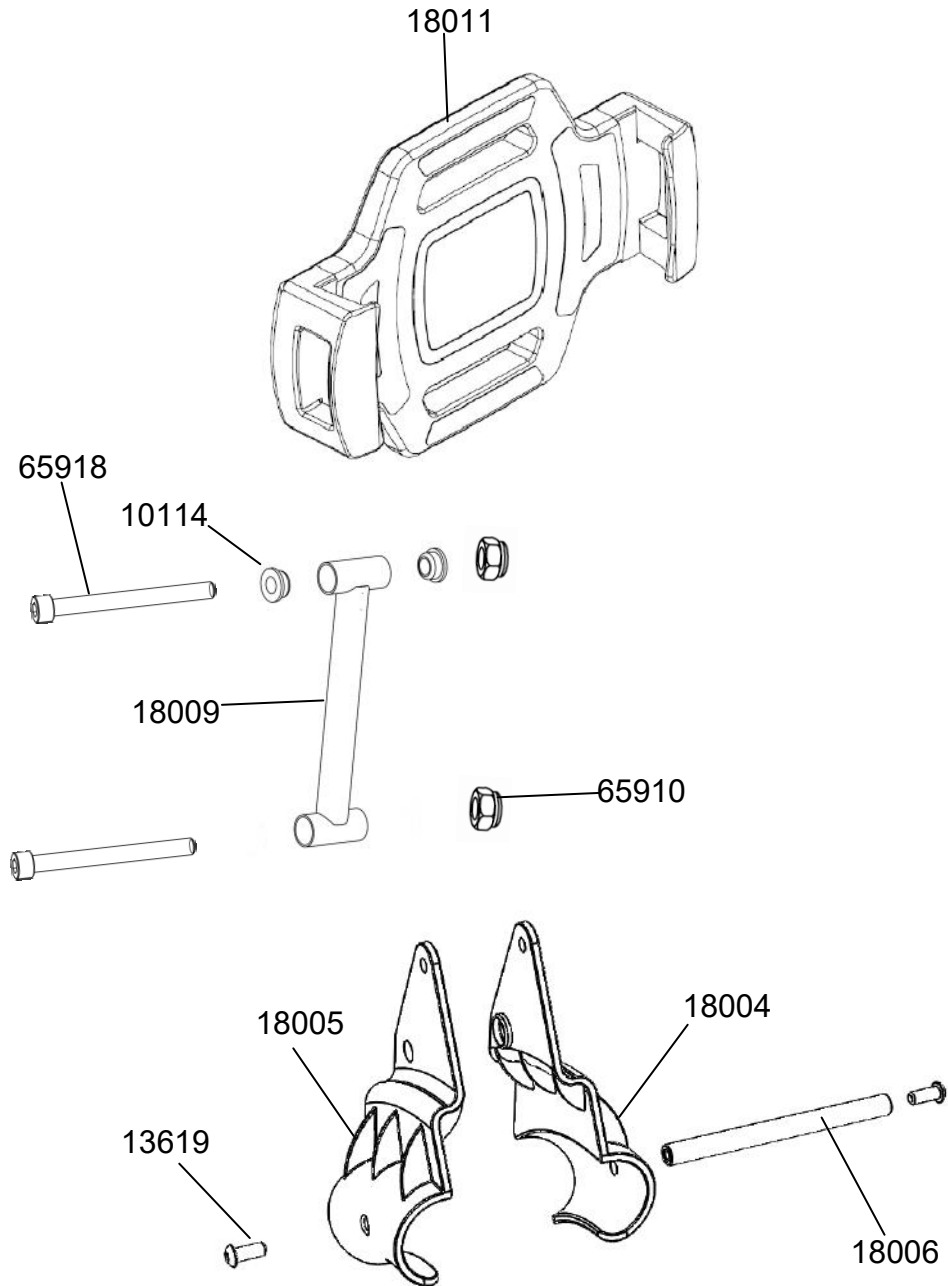


TBH-P - Tablet Holder Profile Frame Bracket



10114	2	Computer Mount Plastic Bushing 20x16x13x10
13619	2	Dome Head Bolt M6x15 - B
18004	1	Plastic Base - L / APPV
18005	1	Plastic Base - R / APPV
18006	1	Monitor Shaft
18009	1	Tablet Holder Support Bracket
18011	1	Teblet Holder
18020	1	4mm Allen Key
18021	1	6mm Allen Key
18024	1	17mm Wrench
65910	2	Nyloc Nut M10 - B
65918	2	M10*60 Bolt

